

## Essential Commercial TV with Multiple Use

LG Commercial Lite TVs are designed specifically for hospitality and business environments. With the use of simple user-friendly interfaces and superb images and video, the LW310C facilitates communications between businesses and their target audiences.



### LW310C

- Welcome Screen/Video
- USB Cloning
- RS-232C
- USB Auto Playback +
- Time scheduler

#### screen size

43", 49"

### Key Features



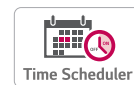
#### USB Cloning

Clone all commercial TVs with astonishing speed and ease. The USB Cloning feature allows you to simply copy the TV settings to all TVs using a USB memory device.



#### USB Auto Playback+

Create and sequentially play playlists composed of informative media (video, music and image) you choose without PC and any installation.



#### Time Scheduler

Create your own time scheduler of your Commercial TV. Once you set opening/closing hours and holidays, the TV will turn on/off according to work schedule.

### Simple & Effective Maintenance



#### Hotel Mode

From channel selection to volume setting, you can control the TV settings in all the rooms with Hotel Mode. Prevent misuse by customers, set volume limits, or reset settings to default for any TV. You are in control of it all.



#### Lock Mode

The Lock Mode blocks external input signal with non-compliant content. A useful feature for preventing misuse of TVs in various facilities or public spaces.



#### Remote Diagnostics (USB)

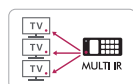
Enables service engineers to recognize technical issues in a TV quickly and easily through a USB. The TV stores any technical issues encountered and can output them to a USB device. Service engineers use this information to analyze technical issues without the actual TV.

### Entertainment & Convenience



#### Welcome Screen/Video

With the capability to display repeatedly various video formats as well as images, Commercial Lite TVs allow for a greater variation of greeting messages in hotel rooms which make customers feel more welcome and cared for.



#### Multi IR

Multi IR function eliminates the remote control signal interference between TVs in multiple dwelling beds. This system will work using the same LG TV model.



#### IR OUT

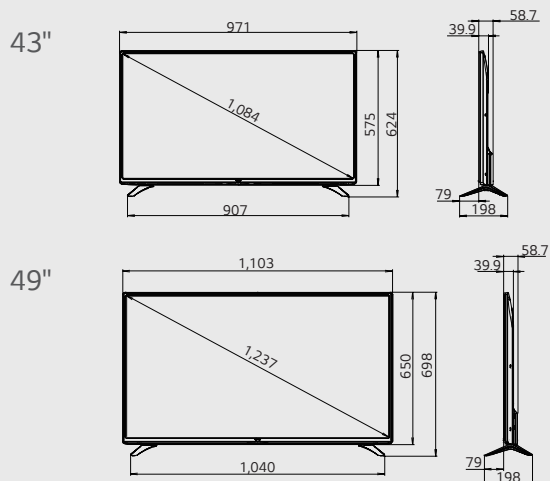
Just connect your interactive set-top-box to LG Commercial TV. With a single remote control, the LG TVs in your hotel solution fall under your control.

# Specifications

LW310C (ASIA/MEA)

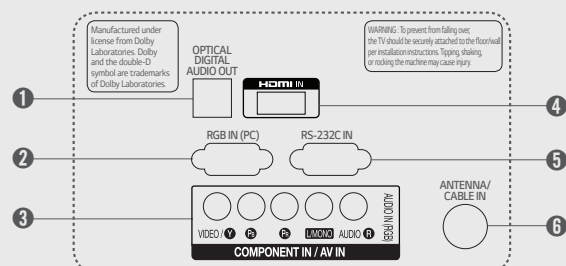
		43"	49"
DISPLAY	Type	Edge LED	
	Resolution	1,920 x 1,080 (FHD)	
	Brightness	200cd/m <sup>2</sup>	
BROADCASTING SYSTEM	Analog	PAL / SECAM	
	Digital	DVB-T2/C (Varied By Countries) * Philippines : 6MHz Available	
VIDEO	Triple XD Engine	•	
	Real Cinema 24p (3:3 Pull down)	•	
	Aspect Ratio	6 modes (16:9, Original, 4:3, Vertical Zoom, All-Direction Zoom, Just Scan)	
AUDIO	Audio Output / Speaker System	5W + 5W / 2.0 ch	
	Sound Mode	• 6 modes (Standard, Cinema, Clean Voice, Soccer, Music, Game) * India Only : 6 modes (Standard, Cinema, Clear Voice, Cricket, Bollywood, Game)	
	Clear Voice	•	
GENERAL FEATURES	Management	Remote Diagnostics (USB)	
	Interactivity	HTNG / HDMI-CEC	
	RJP Interface	RS-232C, HDMI-CEC	
	Advanced Settings	Auto Off / Auto Sleep, Motion Eye Care, Smart Energy Saving	
COMMERCIAL FEATURES	Welcome Screen/Video, Lock Mode, Hotel Mode, Multi-IR Code, USB Cloning, One Channel Map, IR Out, USB Auto Playback+, Time Scheduler		
INTERFACE	Side	Headphone Out, HDMI In, USB 2.0	
	Rear	RF In, AV In, Component In + Audio (Commonly used with AV In), Digital Audio Out, HDMI In, RGB In, RS-232C	
CABINET (Unit : mm)	Vesa	200 x 200	300 x 300
	Bezel Width (L/R,U,B) : On bezel based	10.2, 10.2, 18.3	
	Bezel Width (L/R,U,B) : Off bezel based	7.9, 7.9, 16	
	W x H x D / weight (w/o stand)	971 x 575 x 39.9 (SPK 58.7) / 9.5kg	1,103 x 650 x 39.9 (SPK 58.7) / 13.1kg
	W x H x D / weight (with stand)	971 x 624 x 198 / 9.8kg	1,103 x 698 x 198 / 13.4kg
	W x H x D / weight (packing)	1,050 x 655 x 152 / 12.7kg	1,197 x 760 x 142 / 16.9kg
POWER (Unit : Watts)	Voltage, Hz	100-240V, 50 / 60Hz	
	Max	62.0	75.5
	Typical	49.0	61.9
	Energy Saving (Min)	37.30	42.87
	Energy Saving (Med)	29.42	32.74
	Energy Saving (Max)	20.82	21.86
STANDARD APPROVAL	Stand-by	0.21	
	Safety	ASIA / MEA Essential Requirement Achieved	
	Environment	ASIA / MEA Essential Requirement Achieved	
	Etc.	ASIA / MEA Essential Requirement Achieved	

## Dimensions (Unit : mm)



## Connectivity

- 1 OPTICAL DIGITAL AUDIO OUT
- 2 RGB IN (PC)
- 3 COMPONENT IN / AV IN
- 4 HDMI IN
- 5 RS-232C IN
- 6 ANTENNA / CABLE IN



Download LG Commercial Display Mobile App



More info [www.lgcommercial.com](http://www.lgcommercial.com)

YouTube [youtube.com/c/LGCommercialDisplay](https://youtube.com/c/LGCommercialDisplay)

All screen images are simulated. Dimension and weights are approximate.

Design, features and specifications subject to change without notice.

Copyright © 2016 LG Electronics Inc. All rights reserved. "LG Life's Good" is a registered trademark of LG Corp.

The names of products and brands mentioned here may be the trademarks of their respective owners.

